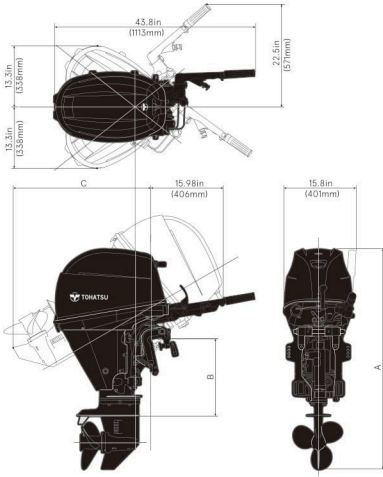


FOUR STROKE **MFS30D**

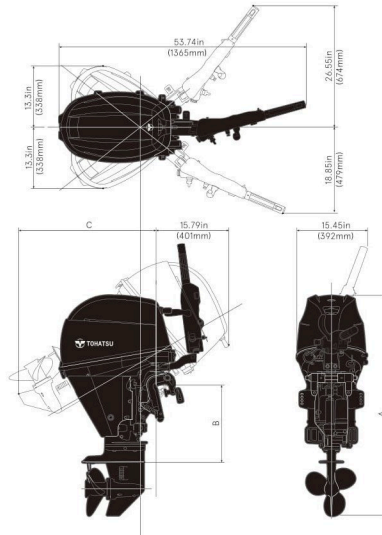
Dimensions



Dry Weight		(lbs/kg)	
Model	MF	EF	
Transom S:	128 (58.0)	137 (62.0)	
Transom L:	129 (58.5)	138 (62.5)	

Dimensions		(in/mm)		
Model	A	B	C	
Transom S:	47.9 (1216)	16.75 (425)	30.05 (763)	
Transom L:	52.9 (1343)	21.75 (552)	34.35 (873)	

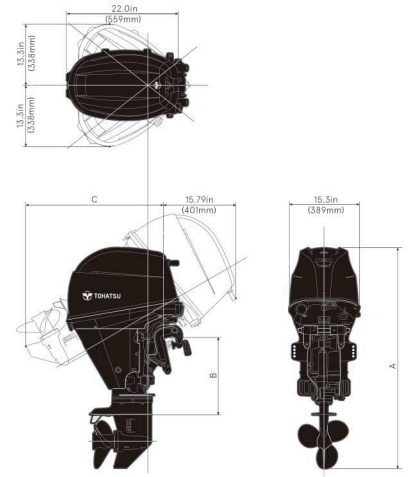
Dimensions



Dry Weight		(lbs/kg)	
Model	EHT		
Transom S:	156 (71.0)		
Transom L:	157 (71.5)		

Dimensions		(in/mm)		
Model	A	B	C	
Transom S:	47.9 (1216)	16.75 (425)	30.6 (777)	
Transom L:	52.9 (1343)	21.75 (552)	35.0 (889)	

Dimensions



Dry Weight		(lbs/kg)	
Model	EPT		
Transom S:	148 (67.0)		
Transom L:	149 (67.5)		

Dimensions		(in/mm)		
Model	A	B	C	
Transom S:	47.9 (1216)	16.75 (425)	30.6 (777)	
Transom L:	52.9 (1343)	21.75 (552)	35.0 (889)	