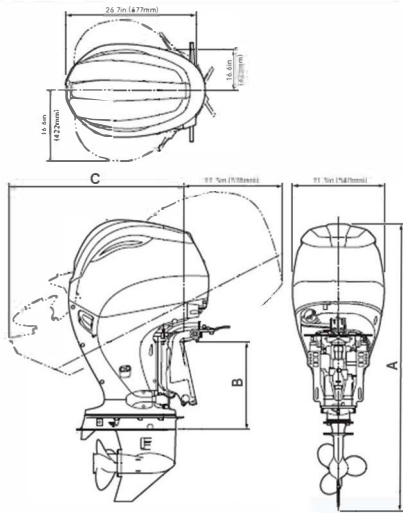


**FOUR STROKE MFS 140 Mega**

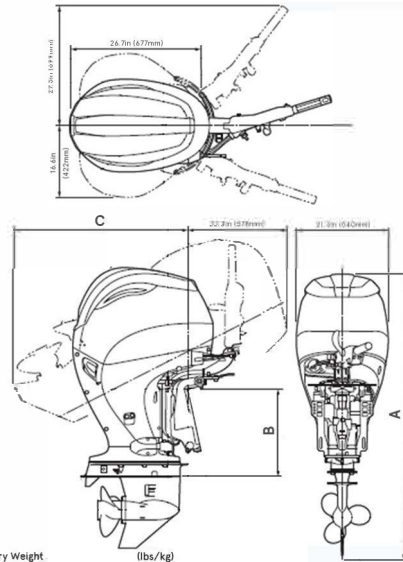
**Dimensions**



| Dry Weight (lbs/kg) |             |
|---------------------|-------------|
| Model               | ET          |
| Transom L:          | 392 (178)   |
| Transom UL:         | 402 (182.5) |

| Dimensions (in/mm) |             |            |             |
|--------------------|-------------|------------|-------------|
| Model              | A           | B          | C           |
| Transom L:         | 65.1 (1654) | 20.4 (517) | 40.2 (1022) |
| Transom UL:        | 70.0 (1779) | 25.4 (644) | 44.7 (1135) |



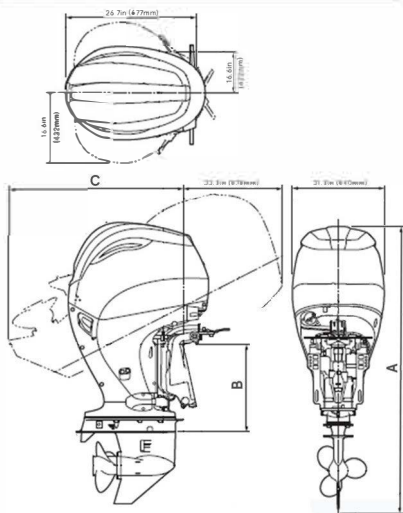
| Dry Weight (lbs/kg) |             |
|---------------------|-------------|
| Model               | ET          |
| Transom L:          | 402 (182.5) |
| Transom UL:         | 412 (187)   |

| Dimensions (in/mm) |             |            |             |
|--------------------|-------------|------------|-------------|
| Model              | A           | B          | C           |
| Transom L:         | 65.1 (1654) | 20.4 (517) | 40.2 (1022) |
| Transom UL:        | 70.0 (1779) | 25.4 (644) | 44.7 (1135) |

**FOUR STROKE MFS 140 Mega White**

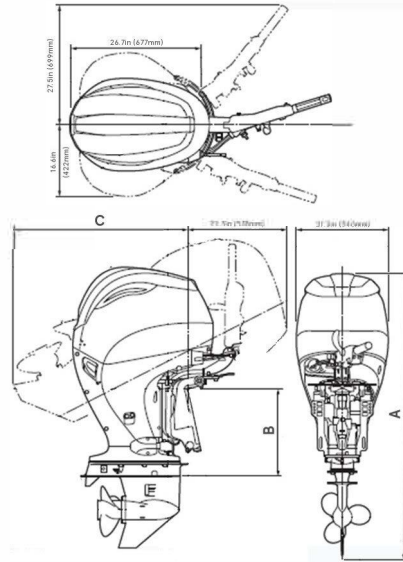
**Dimensions**



| Dry Weight (lbs/kg) |           |
|---------------------|-----------|
| Model               | ET        |
| Transom L:          | 392 (178) |

| Dimensions (in/mm) |             |            |             |
|--------------------|-------------|------------|-------------|
| Model              | A           | B          | C           |
| Transom L:         | 65.1 (1654) | 20.4 (517) | 40.2 (1022) |



| Dry Weight (lbs/kg) |             |
|---------------------|-------------|
| Model               | ET          |
| Transom L:          | 402 (182.5) |

| Dimensions (in/mm) |             |            |             |
|--------------------|-------------|------------|-------------|
| Model              | A           | B          | C           |
| Transom L:         | 65.1 (1654) | 20.4 (517) | 40.2 (1022) |